

Curb Model Installation Sheet

Model #CB7266

1.) Determine roof rafter spacing.

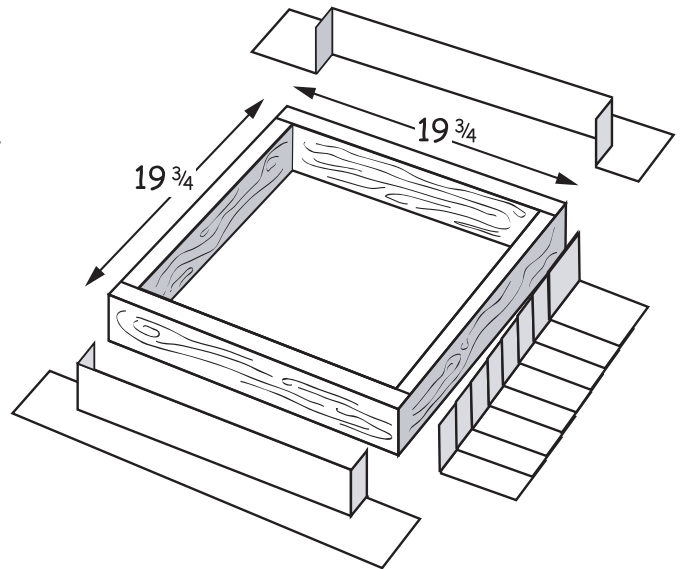
a.) 16" Rafter Spacing: Cut a 14 1/2" square hole between rafters approximately 24" down from roof peak to center of hole.

b.) 24" Rafter Spacing: Cut a 16 3/4" square hole between rafters approximately 24" down from roof peak to center of hole.

2.) Build a 19 3/4" x 19 3/4" curb with treated lumber and secure to roof deck.

3.) Flash curb with appropriate material. Metal flashing is most common.

4.) Run a generous bead of sealant along top edge of curb.



5.) Pre-drill (8) mounting holes, (2) per side, on the base skirt of the SunRise.

6.) Place the SunRise over curb with SRS Logo on the bottom, making sure it is seated into sealant. Using stainless steel screws, secure unit to curb.

DO NOT OVER-TIGHTEN SCREWS, AS THIS MAY CAUSE
UNIT BASE TO CRACK OVER TIME.

